

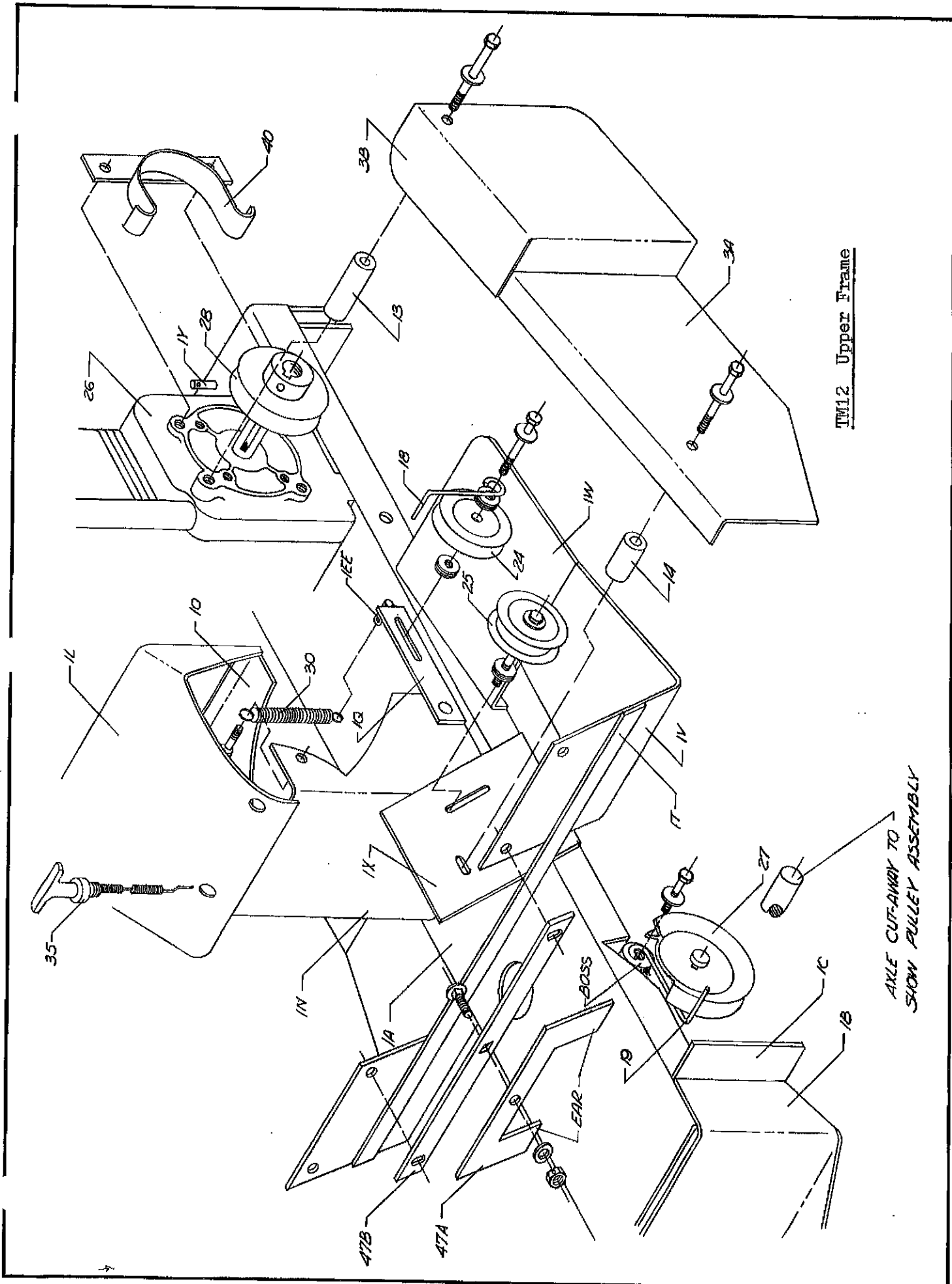
Struck Corporation
W51 N545 Stuck Lane
PO Box 307
Cedarburg, WI 53074

Phone: (262) 377-3300
Email: parts@struckcorp.com
Text: 262-233-4292

Abbreviated parts list for the MAGNATRAC MT2000
All prices are subject to change daily. Thank you.

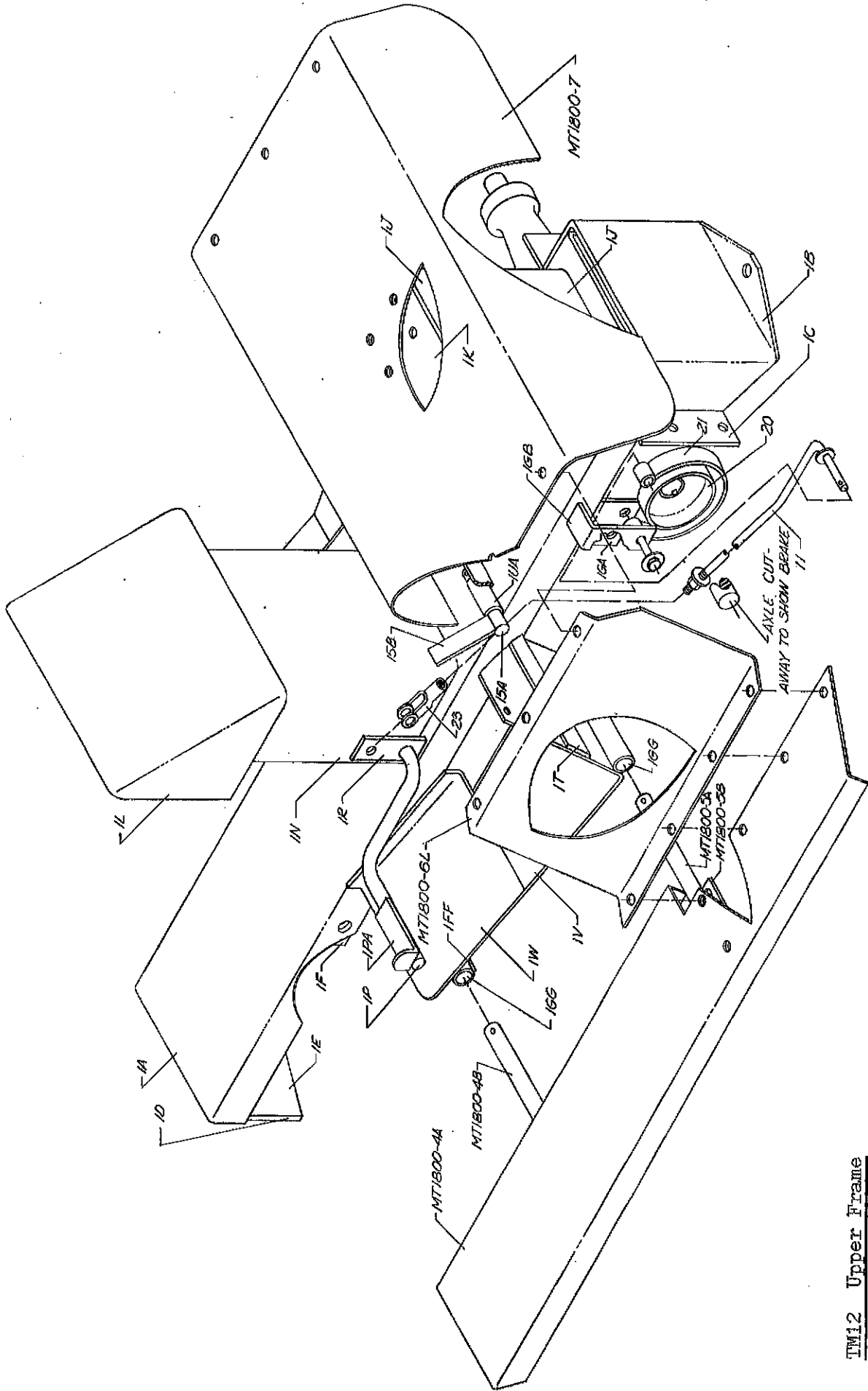
Part#	Description	Pricing
MT2L-11	Rear Drive, will be discontinued once stock sells out	\$375.00
MT2L-12 Replaced by	MT3-213-up Idler Axle OR (Part# 004354)	\$49.00
MT2L-17 Replaced by	#001030 1/2" Track tension rod / bolt	\$28.87
MT2L-21 Discontinued	Customer can find the Brake Band on AMAZON "Rotary 9195 Brake Band" for Go-carts	
MT2L-23 Replaced by	#MT3-223 Brake Shaft	\$106.38
MT2L-25 Replaced by	#000252A Shell for bearing (single pc), 3 3/4" OD	\$10.33
MT2L-27 Replaced by	#MT3-254C #50 1/2 link	\$8.00
MT2U-29	Drive Belt, Gates # 6983, will be discontinued once we sell out.	\$30.00
MT2L-30B	Track Shoe only	\$12.00
000228	Machine Key, 1/4" x 1/4" x 1"	\$2.00
000242	Washer, 18 GA x 7/8" ID x 1-1/2" OD	\$.74
000671D	7/8" x 1" x 1" Oilite Bearing	\$3.19
000716	Steel washer, 1"ID x 1-1/2" OD	\$.78
000716DKit	7/8" x 1" x 1" Oilite Bearing Kit of 25	\$73.75
002581-Kit	New Style Track Section (18 pads welded to 2 lengths of CA557 chain).	\$1501.60
TSO4B	Heavy-Duty Grouser Track Shoe Kit	\$585.00

Shipping costs will be added to your order amount. We accept Visa, Mastercard, American Express, Discover, Pay Pal and checks with a 2-week waiting period.



TM12 Upper Frame

AXLE CUT-AWAY TO SHOW PULLEY ASSEMBLY



TM12 Upper Frame

Lower Frame

